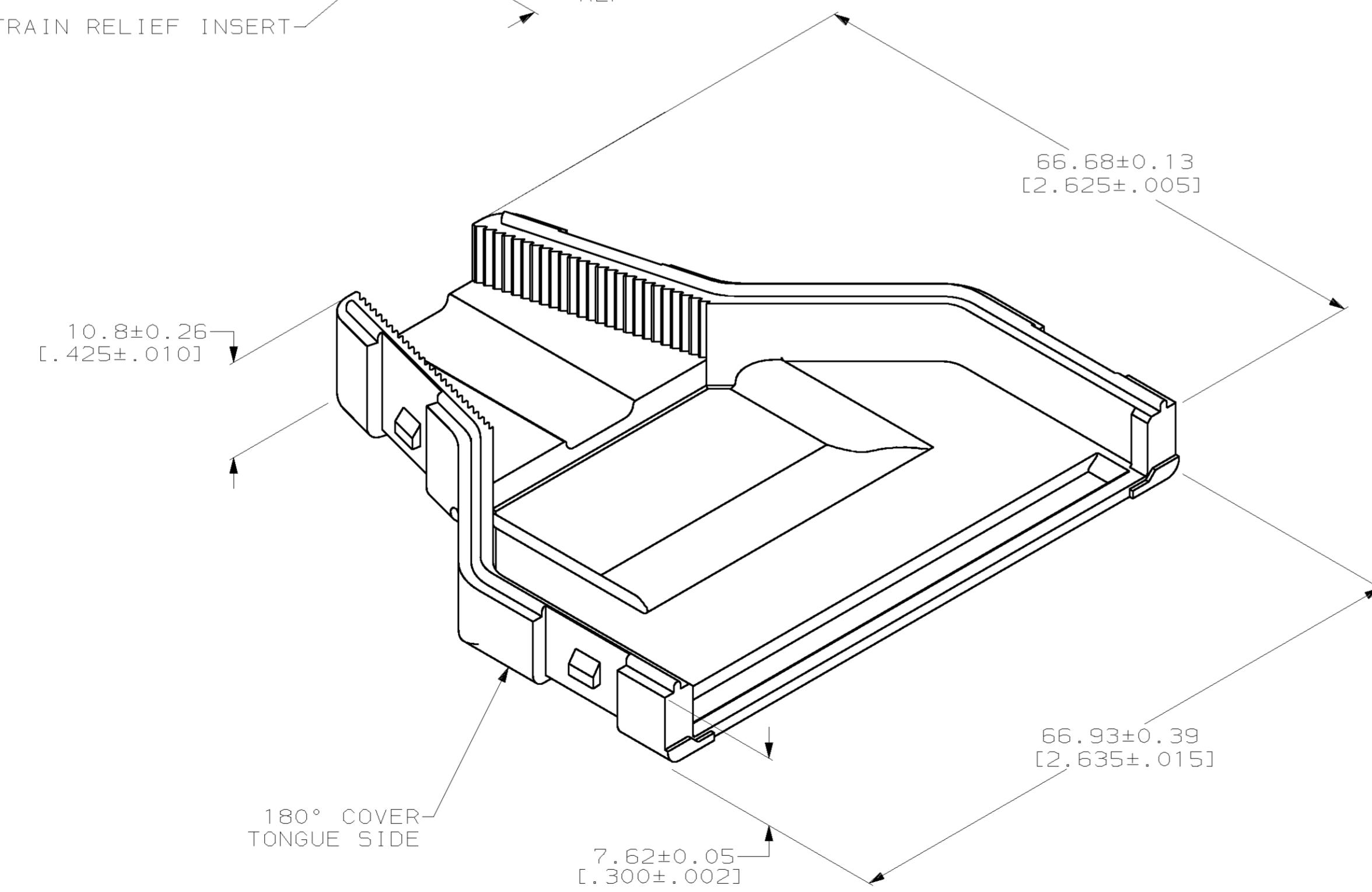
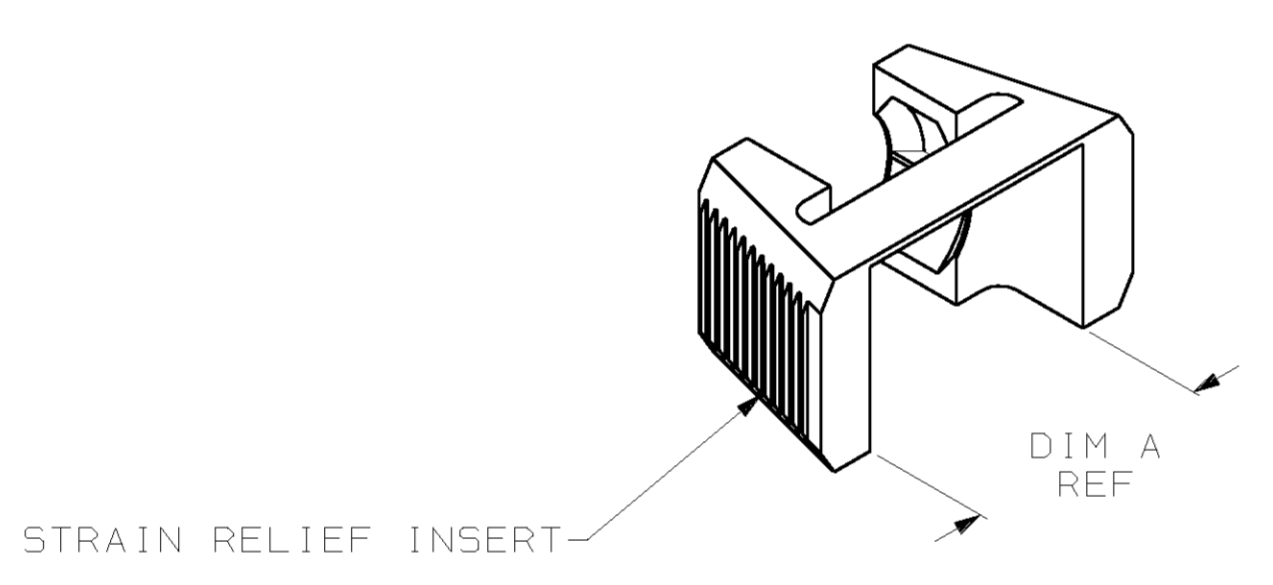
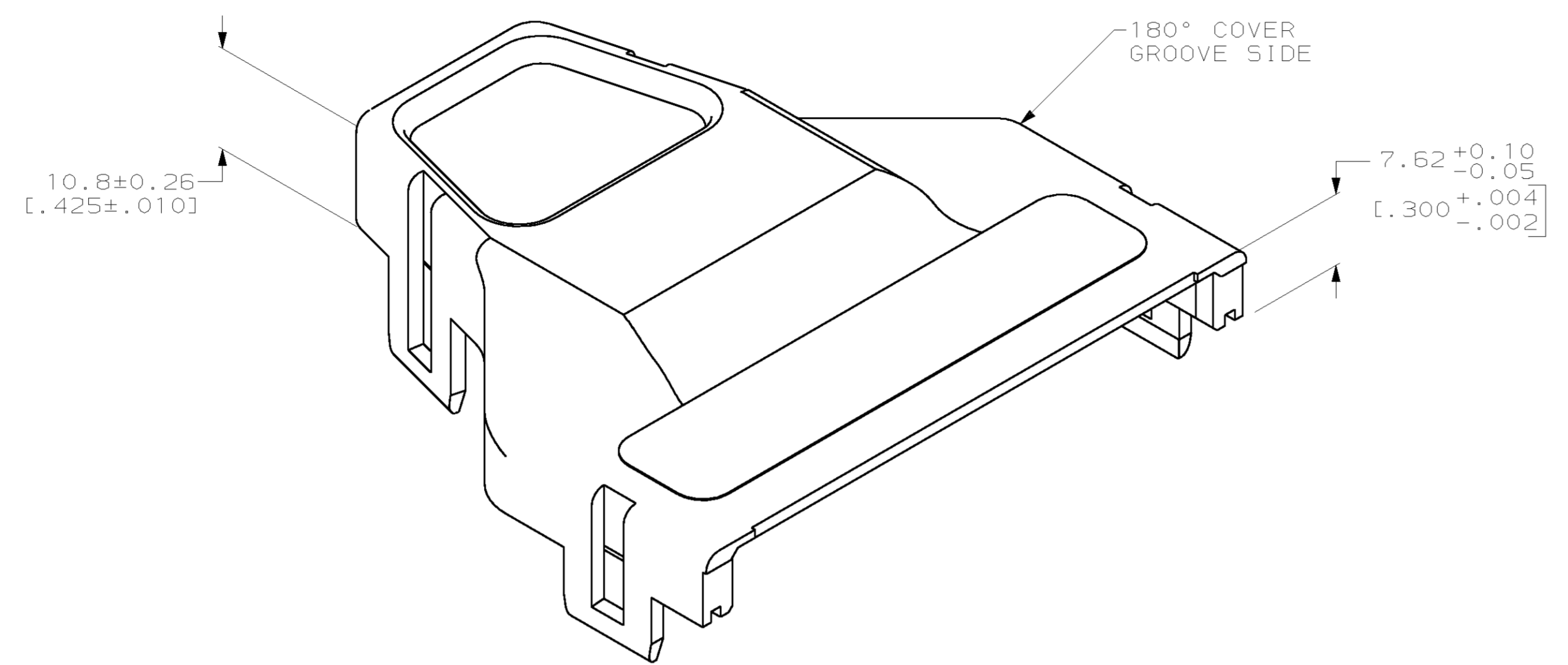


LOC	DIST	REVISIONS				
TR	LYR	DESCRIPTION	DATE	DWN	APPR	
E		REVISED PER EC 0511-0216-03	10SEP04	JG	JG	



- THIS KIT SHIPPED NOT ASSEMBLED.
- MATERIAL: COVERS- POLYPHENYLENE OXIDE, SEE TABLE FOR COLOR. STRAIN RELIEF - POLYPROPYLENE, BLACK.
- CABLE DIAMETER LESS THAN 12.7 [0.500] SHALL USE 16.26 [0.64] STRAIN RELIEF. CABLE DIAMETER GREATER THAN 12.7 [0.500] SHALL USE 18.54 [0.73] STRAIN RELIEF.
- PACKAGED 1 KIT PER POLYBAG.
- BULK PACKAGED 500 KITS PER CONTAINER.

COLOR	PACKAGED	DIM. A	CABLE RANGE DIA	PART NUMBER
COMPAQ-GRAY	△	18.67 [0.735]	8.89-15.88 [0.350-.625]	5-554946-3
BLACK	△	16.13 [0.635]	6.35-12.7 [0.250-.500]	5-554946-1
BLACK	△	18.67 [0.735]	8.89-15.88 [0.350-.625]	554946-2
BLACK	△	16.13 [0.635]	6.35-12.7 [0.250-.500]	554946-1

<small>THIS DRAWING IS A CONTROLLED DOCUMENT FOR AMP INCORPORATED. IT IS SUBJECT TO CHANGE AND THE CONTROLLING ENGINEERING DEPARTMENT SHALL BE CONTACTED FOR THE LATEST REVISION.</small>		DWN L. SMITH 3-15-95	AMP Incorporated Harrisburg, PA 17105-3608
<small>TOLERANCES UNLESS OTHERWISE SPECIFIED:</small> 0 PLC ±- 1 PLC ±- 2 PLC ±- 3 PLC ±- 4 PLC ±- ANGLES ±-		CHK D. HUSSEY 4-04-95	
DIMENSIONS: mm (INCHES)		APPR M. HUGHES 4-04-95	NAME COVER KIT, 180 DEGREE, 50 POSITION, SHIELDED, CHAMP®
MATERIAL	FINISH	WEIGHT	SIZE A1 00779
CUSTOMER DRAWING		SCALE 2:1	DRAWING NO C-554946
		SHEET 1 OF 1	REV E